

Applications

For industrial hot water pipelines where oil-based additives are used against corrosion, for lubricating oil, domestic oil, oil mixed pressurised air etc.

With an allowed working temperature at 110°C, which is approx. 20° higher than many competing materials, you get improved properties when used in cooling systems. For engine manufacturers, for instance, this means that the effectiveness of the coolant system can be increased while maintaining the service life of the expansion joint.

Design

The Teguflex HO expansion joint is composed of a special internal Nitrile rubber compound, suitable for high temperatures without harden.

The unique fabric reinforcement is resistant to hydrolysis, which will endure high temperatures in combination with moisture, water or oil mixed water. This ensures a long service life with remained properties.

Building length 130/150/200 mm.

Turnable flanges.

Teguflex® HO

Expansion Joints

DN 25-DN 600

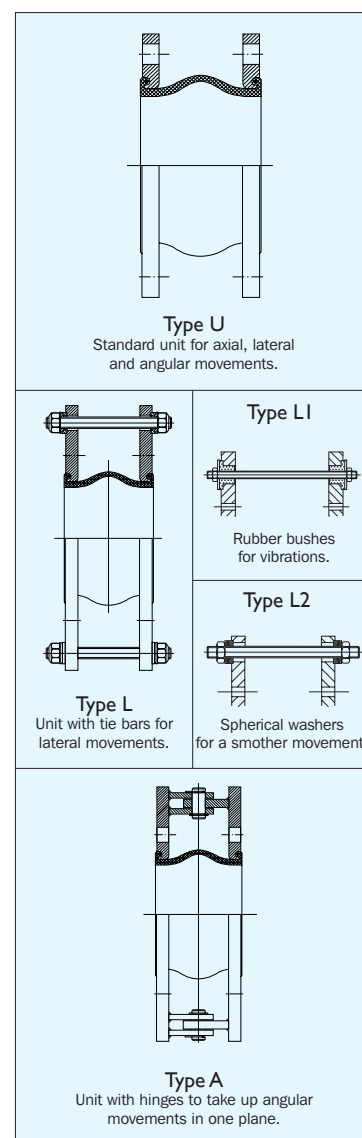


Materials

Colour Label	Inner tube	Outer cover	Max temp. °C	Applications
Double Yellow	HNBR	HNBR	110°	Oil, oil-mixed water, oil-mixed pressurised air, etc.

Pressure rating

Pressure	Temperature	DN 25 - DN 150	DN 200 - DN 300	DN 350 - DN 600
Max. working pressure	90°C 110°C	16 bar 10 bar	10 bar 6 bar	10 bar 6 bar
Test pressure	20°C	25 bar	15 bar	15 bar
Burst pressure	20°C	>50 bar	>50 bar	>30 bar



Teguflex HO BL 130/200 DN 25-DN 600

Flange qualities

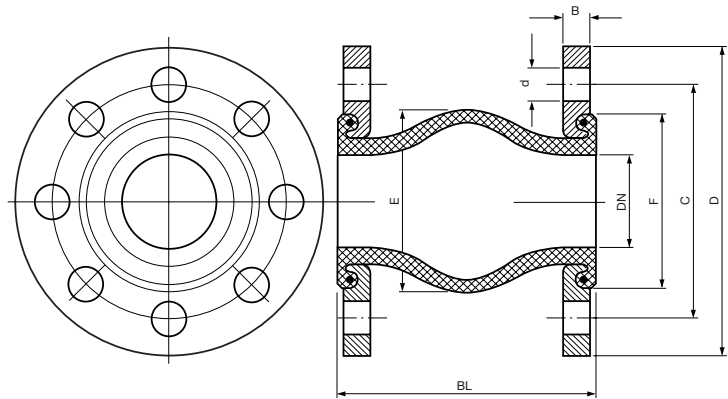
Yellow cromated steel flanges are supplied as standard, however other types are available: stainless steel, hot dipped galvanized, etc.

Flange measurements

DN 32-DN 600 DIN 2501 PN 6/10/16

(see Flange dimension table for details)

Other flange standards available. Please ask.



Dimensions and movements

DN mm	BL mm	Eff.cross-sectional area Q(cm ²)	(E) mm	(F) mm	Permissible movements				Max. vacuum		Weight	
					Com- pression mm	Elon- gation mm	Lateral mm	An- gular	W/o support ring bar	With support ring bar	Incl. flange kg	Incl. tied flanges kg
25/32	130	35	77	72	30	20	20	35°	0.8	1.0	3	4
40	130	45	85	80	30	20	20	35°	0.8	1.0	3	5
50	130	56	95	90	30	20	20	35°	0.7	1.0	4	5
65	130	79	110	105	30	20	20	30°	0.6	1.0	5	7
80	130	104	125	120	30	20	20	30°	0.5	1.0	6	8
100	130	136	145	140	30	20	20	25°	0.5	1.0	7	10
125	130	188	170	165	30	20	20	25°	0.4	1.0	8	12
150	130	254	195	190	30	20	20	15°	0.3	1.0	10	16
200	130	415	245	240	30	20	20	15°	0.3	1.0	15	23
250	130	615	295	290	30	20	20	10°	0.2	1.0	20	33
300	130	855	345	340	30	20	20	10°	0.2	1.0	24	44
350	200	1290	430	425	30	20	20	10°	0.2	1.0	32	54
400	200	1628	475	470	30	20	20	10°	0.2	1.0	45	71
450	200	2054	532	510	30	20	20	10°	0.2	1.0	52	81
500	200	2546	590	560	30	20	20	10°	0.2	1.0	63	100
600	200	3466	685	655	30	20	20	6°	0.2	1.0	95	140

Note: Maximum values do not apply simultaneously.

Optional equipment

Vacuum rings, Flame guard etc. are available.

Approvals



Distributor:

Interflex Hose & Bellows Ltd. • www.integflex.co.uk
 Ludlow Business Park • Ludlow • Shropshire • SY8 1XF • United Kingdom
 Tel: +44 (0)1584 878500 • Fax: +44 (0)1584 878115 • Email: teguflex@integflex.co.uk