

Applications

For all types of industrial applications, residential houses, industrial plants, industrial premises as well as heating and sanitary applications.

Compensate for thermal elongation and misalignment.

Isolate vibrations, dampen noise and pressure surges in connection with engines, pumps, turbines etc.

Design

A moulded rubber bellows that combines elastic properties of rubber with various types of reinforcement to provide a flexible pipe joint that is easy to install providing good performance and a long service life.

Building length 130 mm.

Turnable flanges.

Teguflex® P

Expansion Joints

DN 25-DN 300



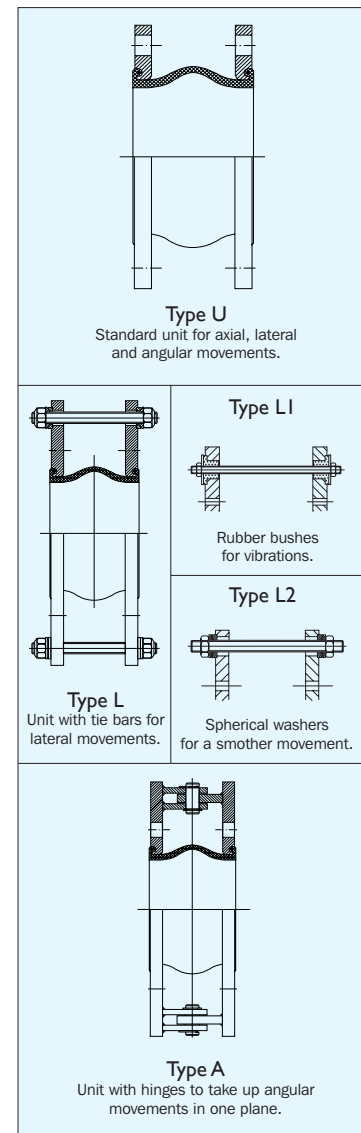
Materials

Colour Label	Inner tube	Outer cover	Max temp. °C	Applications
Red	EPDM	EPDM	90°	Hot water, cooling water with salt solutions, chlorine solutions, esters and ketones.
Yellow	ECO (Epichloridrine)	ECO	90°	Water, salt solutions, alkalis, mineral oils, vegetable or animal oils, oils aerosols, butane or propane gas, etc.
Yellow TW ¹	ECO	ECO	90°	Tank wagons, tankers and stationary structures for oil-based products and unleaded petrol with less than 50% aromatic hydrocarbon.
White	Nitrile white	ECO	90°	Drinking water, food and beverages. Including fats and oils.
Green	Hypalon	Chloroprene	90°	Strong and/or concentrated acids, etc. Compressed air that bears oil aerosols.
Blue	SBR	Chloroprene	90°	Wearing material such as sludge suspended stone, calcium.

¹ Provided with aluminium flanges acc. to DIN 28460 for tank lorries. Maximum allowable pressure 10 bar. Sizes: from DN65 up to DN125 both included only.

Pressure rating

Condition	Temperature	Pressure
Max. working pressure	70°C	16 bar
	90°C	10 bar
Test pressure	20°C	25 bar
Burst pressure	20°C	>50 bar



Teguflex P BL 130 DN 25-DN 300

Flange qualities

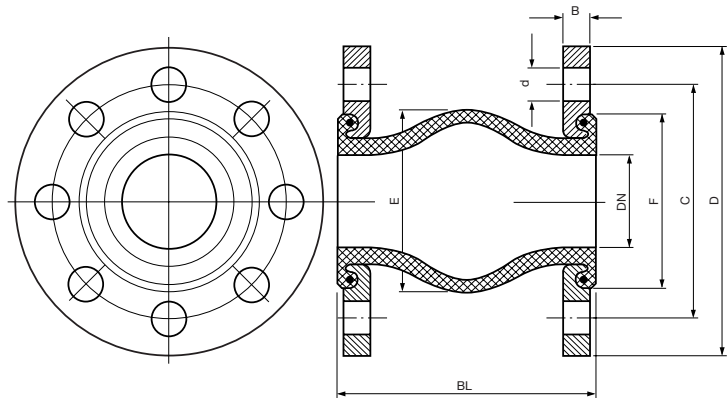
Yellow cromated steel flanges are supplied as standard, however other types are available: stainless steel, hot dipped galvanized, etc.

Flange measurements

DN 32-DN 300 DIN 2501 PN 6/10/16

(see Flange dimension table for details)

Other flange standards available. Please ask.



Dimensions and movements

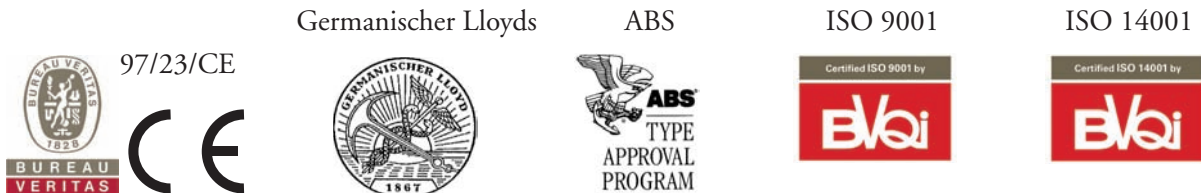
DN mm	BL mm	Eff.cross-sectional area Q(cm ²)	(E) mm	(F) mm	Permissible movements				Max. vacuum		Weight		P kg	Spring rates		
					Com- pression mm	Elon- gation mm	Lateral mm	An- gular	W/o support ring bar	With support ring bar	Incl. flange kg	Incl. Tie-rod flange kg		Tied flanges kg	Com- pression Stiffness kg/cm	Elon- gation Stiffness kg/cm
25/32	130	35	77	72	30	20	20	35°	0.8	1.0	2.8	4.5	4	50	75	50
40	130	50	85	80	30	20	20	35°	0.8	1.0	3.3	4.8	5	50	75	50
50	130	74	95	90	30	20	20	35°	0.7	1.0	3.7	5.0	5	50	75	50
65	130	87	110	105	30	20	20	30°	0.6	1.0	4.8	6.4	7	50	75	50
80	130	120	125	120	30	20	20	30°	0.5	1.0	5.3	7.5	8	50	75	50
100	130	143	145	140	30	20	20	25°	0.5	1.0	6.2	9.0	10	65	85	65
125	130	210	170	165	30	20	20	25°	0.4	1.0	8.2	11.2	12	65	85	65
150	130	283	195	190	30	20	20	15°	0.3	1.0	11.2	13.4	16	75	100	75
200	130	525	245	240	30	20	20	15°	0.3	1.0	16.8	19.4	23	75	100	75
250	130	636	295	290	30	20	20	10°	0.2	1.0	21.6	25.4	33	100	150	100
300	130	897	345	340	30	20	20	10°	0.2	1.0	30.1	33.1	44	100	150	100

Note: Maximum values do not apply simultaneously. Stiffness values tolerance: +/- 20%.

Optional equipment

Teflon lining (PTFE), Vacuum rings (stainless steel), Flame guard, etc. are available.

Approvals



Distributor:

Interflex Hose & Bellows Ltd. • www.integflex.co.uk
 Ludlow Business Park • Ludlow • Shropshire • SY8 1XF • United Kingdom
 Tel: +44 (0)1584 878500 • Fax: +44 (0)1584 878115 • Email: teguflex@integflex.co.uk